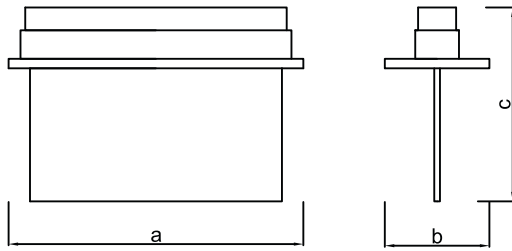


Recessed Mounted Viald Emergency Luminaire



Body	Extruded Aluminium
Çerçeve	Electrostatic powder coated metal
Led	Mid power led
Battery	3,6Vdc 1000 mA Ni-Cd
Function Mode	AC(Power on) / DC(Emergency)



Technical Drawing

axbxc

3W	310x205x110
----	-------------

Production Specifications

- High Efficiency SMD LED
- Long Life Ni-Cd batarya
- Minimum 3 Hours Working Time
- High Transparent Cover PMMA
- Works Both When Energy Is On and Off
- Ergonomic Structure Allowing Wall-Mounted and Pendant Use
- Single Side / Double Side Function
- Low Energy Consumption
- Easy Installatiton Provides Saving Time


Packing Details

Package weight	Package volume	Pieces per pack
1,1 kg	0,007728	1

Fields of Application



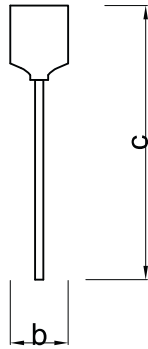
Product Details

	Code No	Power (W)	Numbers of Led	Mains Voltage (V)	Frequency (Hz)	Colour Temperature (K)
	5513 4110	3	6	220-440	50-60	6500

Recessed Mounted Viald Emergency Luminaire



Body	Extruded Aluminium
Led	Mid power led
Battery	3,6Vdc 1000 mA Ni-Cd
Function Mode	AC(Power on) / DC(Emergency)



Technical Drawing

axbxc	
3W	280x205x42

Production Specifications

- High Efficiency SMD LED
- Long Life Ni-Cd batarya
- Minimum 3 Hours Working Time
- High Transparent Cover PMMA
- Works Both When Energy Is On and Off
- Ergonomic Structure Allowing Wall-Mounted and Pendant Use
- Single Side / Double Side Function
- Low Energy Consumption
- Easy Installatiton Provides Saving Time


Packing Details

Package weight	Package volume	Pieces per pack
0,7 kg	0.00275	1

Fields of Application



Product Details

	Code No	Power (W)	Numbers of Led	Mains Voltage (V)	Frequency (Hz)	Colour Temperature (K)
	5513 4010	3	6	220-440	50-60	6500



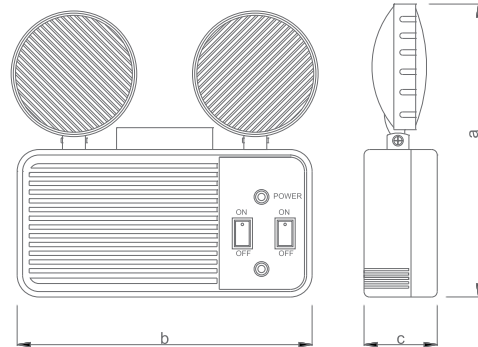
5W Led Emergency Spot



Technical Drawing

axbxc

280x270x67 mm



Body
Head Piece
Battery
Working Type

Polymer injection
Polymer injection
NiCd 6V 4,5Ah
DC (Emergency)


Fields of Application



Packing Details

Pieces per pack	Package weight	Package volume
6	12.5 kg	0,0462 m ³

Product Details

	Code No	Power (W)	Mains Voltage (V)	Frequency (Hz)	Numbers of Led	Charging Time	Discharging Time
	5514 1040	5	220-240	50-60	2x20	24 Hour	3 Hour

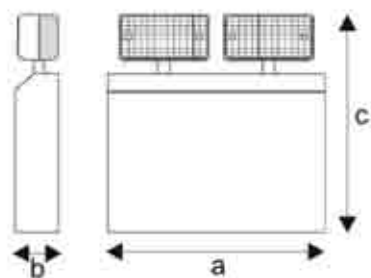
20W Led Emergency Spot



Technical Drawing

axbxc

270x292x65 mm



Body
Head Piece
Battery
Working Type

Metal
Polymer injection
9,6V 2,2Ah
DC (Emergency)


Fields of Application



Packing Details

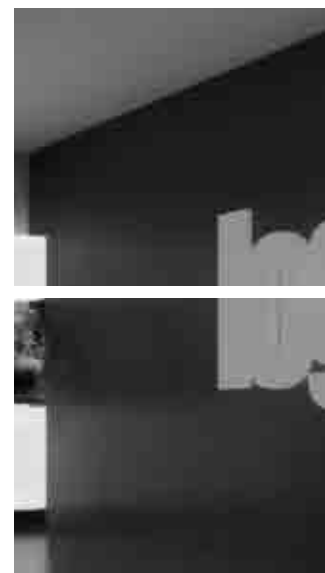
Pieces per pack	Package weight	Package volume
5	11.2 kg	0,050 m ³

Product Details

	Code No	Power (W)	Mains Voltage (V)	Frequency (Hz)	Numbers of Led	Charging Time	Discharging Time
	5514 1050	20	220-240	50-60	2(3x3)(3x3)	24 Hour	3 Hour



LED Strip
LED Bar
Dot LED

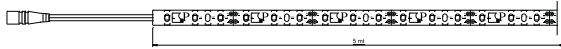
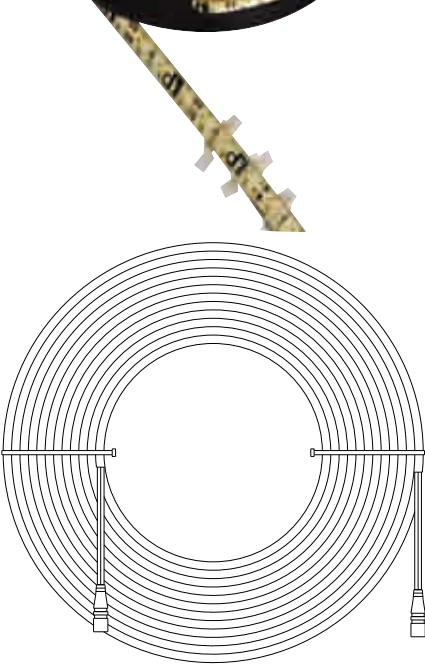


LED Strip

LED Bar

Dot LED

IP 55 LED Strips



- 60 LED / mt.
- 5mt / pack
- Contains 3M adhesive tapes
- Flexible PCB
- Unbreakable corners and edges
- Can be cut every 5 cm (3 LED)
- Perfect choice for illuminated billboards, interior design, decoration, lighting applications, maximum light output
- 120 degrees
- For 3528 led strips, max 2.5mt/1A, 5mt/2.5A, 10mt/5A
- 16 different scenarios with remote controller
- Can be used with remote control

Driver | Pelsan High Efficiency Driver

Packing Details

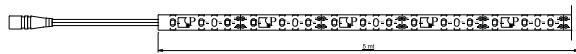
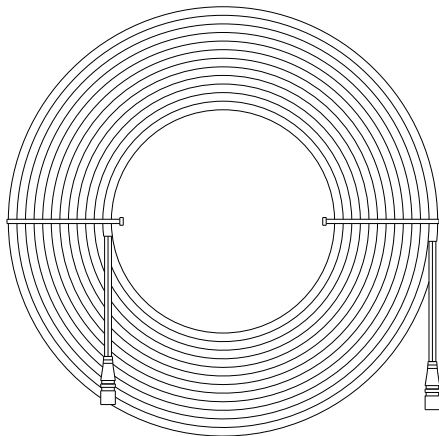
	Pieces per pack	Package weight	Package volume
5050 IP55	250	12 kg	0,0437 m ³
3528 IP55	200	9,4 kg	0,0364 m ³

Fields of Application



Product Details

Code No	Power (W)	Mains Voltage (V)	Frequency (Hz)	Led Type (SMD)	Power Factor	Colour Temperature (K)	Colour Rendering Index
5985 2310 5985 2510	60	12V DC	50-60	5050 3528	>0.90	WHITE	>70
5985 2320 5985 2520	60	12V DC	50-60	5050 3528	>0.90	YELLOW	>70
5985 2330 5985 2530	60	12V DC	50-60	5050 3528	>0.90	RED	>70
5985 2340 5985 2540	60	12V DC	50-60	5050 3528	>0.90	GREEN	>70
5985 2350 5985 2550	60	12V DC	50-60	5050 3528	>0.90	BLUE	>70
5985 2360 5985 2560	60	12V DC	50-60	5050 3528	>0.90	WARM WHITE	>70
5985 2570	60	12V DC	50-60	5050	>0.90	RGB	-
5985 2380 5985 2580	60	12V DC	50-60	5050 3528	>0.90	AMBER	>70



IP20 LED Strips

- 60 LED / mt.
- 5mt / pack
- Contains 3M adhesive tapes
- Flexible PCB
- Unbreakable corners and edges
- Can be cut every 5 cm (3 LED)
- Perfect choice for illuminated billboards, interior design, decoration, lighting applications, maximum light output
- 120 degrees
- For 3528 led strips, max 2.5mt/1A, 5mt/2.5A, 10mt/5A
- 16 different scenarios with remote controller
- Can be used with remote control

Driver | Pelsan High Efficiency Driver

Packing Details

	Pieces per pack	Package weight	Package volume
5050 IP20	250	7 kg	0,0437 m ³
3528 IP20	250	6 kg	0,0352 m ³

Fields of Application



Product Details

Code No	Power (W)	Mains Voltage (V)	Frequency (Hz)	Led Type (SMD)	Power Factor	Colour Temperature (K)	Colour Rendering Index
5985 3010 5985 3210	60	12V DC	50-60	5050 3528	>0.90	WHITE	>70
5985 3020 5985 3220	60	12V DC	50-60	5050 3528	>0.90	YELLOW	>70
5985 3030 5985 3230	60	12V DC	50-60	5050 3528	>0.90	RED	>70
5985 3040 5985 3240	60	12V DC	50-60	5050 3528	>0.90	GREEN	>70
5985 3050 5985 3250	60	12V DC	50-60	5050 3528	>0.90	BLUE	>70
5985 3060 5985 3260	60	12V DC	50-60	5050 3528	>0.90	WARM WHITE	>70
5985 3270	60	12V DC	50-60	5050	>0.90	RGB	-
5985 3080 5985 3280	60	12V DC	50-60	5050 3528	>0.90	AMBER	>70



LED Bar



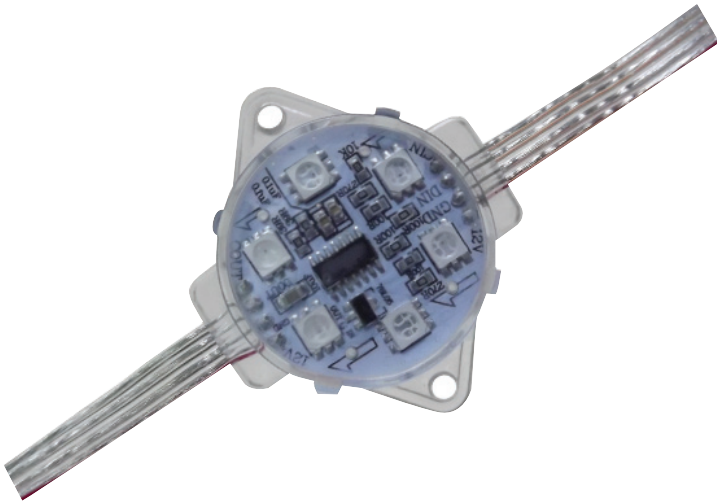
Body	Profile Aluminium
Diffuser	UV Protection, High-End Transparent, homogeneous light distribution thanks to silicon protector
Driver	Constant Voltage Drier
Led	Over 50.000 hour lifetime, high luminous efficacy, color rendering index, mid Power Led

Fields of Application
 Concealed Ceiling
 Billboard
 Band Luminaires

Product Details

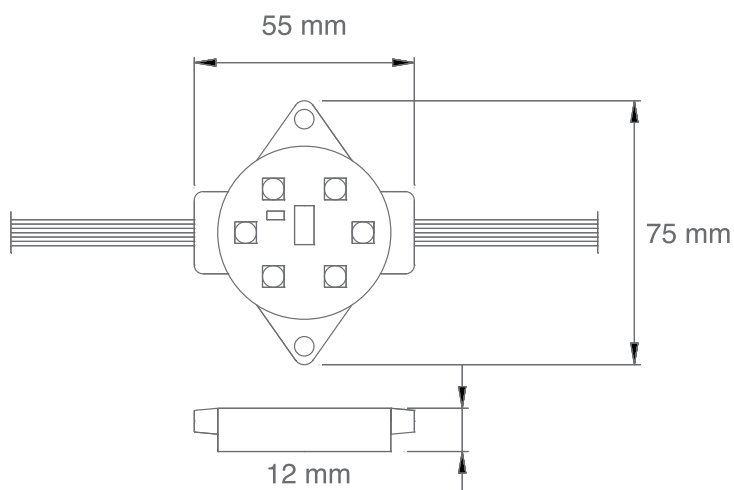
Code No	Power (W)	Number of LED	Driver (Vdc)	Led Colour (K)	Protection Class	Dimensions (mm)	Colour Rendering Index
5616 4911	7,2	60	12	2700-6500	IP20	1000x12x16	>80
5616 4921	7,2	60	12	2700-6500	IP67	1000x12x16	>80
5616 4931	7,2	60	12	MAVI	IP20	1000x12x16	>80
5616 4941	7,2	60	12	MAVI	IP67	1000x12x16	>80

Dot LED



Driver | Constant voltage

- 6 pieces of 3 chips 5050 RGB SMD LED
- Pixel control can be made thanks to Micro-processor
- Special effect control
- Scenario program can be loaded by the help of an SD card installed into the RGB Control Device
- Easy installation for outdoor applications
- Works with external constant voltage led driver



Product Details

Code No	Power (W)	Led Type (SMD)	Led Colour
5985 9840	1.5	5050	RGB

Fields of Application





Lamps Component



LED Tube Lamp
LED Globe Lamp
LED Candle Type Lamp
Par LED Lamp
Power LED Lamp
COB Led Lamp
Emergency Units
LED Drivers