



LED Tube Lamp

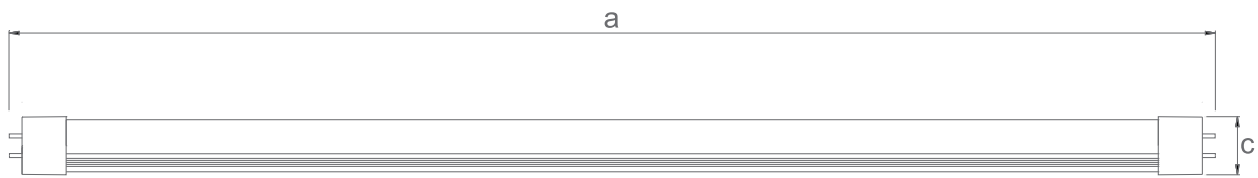
| | |
|----------|---------|
| Body | Polymer |
| Led | SMD |
| Diffuser | Opal |
| Duy Tipi | G13 |



Technical Drawing

axc

| | |
|-----|-----------|
| 9W | 600x26mm |
| 18W | 1200x26mm |
| 24W | 1500x26mm |



Packing Details

| | Pieces per pack | Package weight | Package volume |
|-----|-----------------|----------------|----------------------|
| 9W | 25 | 8 kg | 0,030 m ³ |
| 18W | 25 | 13,5 kg | 0,060 m ³ |
| 24W | 25 | 16,3 kg | 0,073 m ³ |

Product Details

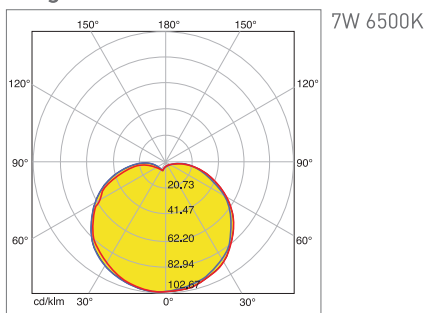
| | Code No | Power (W) | Mains Voltage (V) | Frequency (Hz) | Power Factor | Colour Temperature (K) | Colour Rendering Index (CRI) | Luminous Flux (lm) | Luminous Efficacy (lm/W) |
|--|-----------|-----------|-------------------|----------------|--------------|------------------------|------------------------------|--------------------|--------------------------|
| | 5985 3410 | 9 | 220-240 | 50-60 | >0.90 | 4000 | >80 | 740 | 82,2 |
| | 5985 3420 | 9 | 220-240 | 50-60 | >0.90 | 6500 | >80 | 740 | 82,2 |
| | 5985 3470 | 18 | 220-240 | 50-60 | >0.90 | 4000 | >80 | 1440 | 80 |
| | 5985 3480 | 18 | 220-240 | 50-60 | >0.90 | 6500 | >80 | 1440 | 80 |
| | 5985 3510 | 24 | 220-240 | 50-60 | >0.90 | 4000 | >80 | 2050 | 85,4 |
| | 5985 3520 | 24 | 220-240 | 50-60 | >0.90 | 6500 | >80 | 2100 | 85,4 |



LED Globe Lamp

| | |
|----------|---|
| Body | Aluminium |
| Led | SMD |
| Diffuser | Opal, UV Protection, High-End Transparent |
| Duy Tipi | E27 |

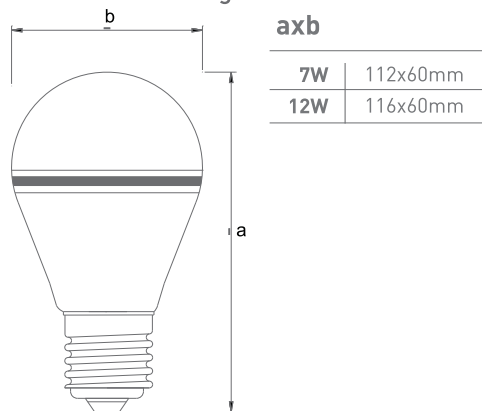
Light Distribution Curve



Packing Details

| | Pieces per pack | Package weight | Package volume |
|------------|-----------------|----------------|----------------------|
| 7W | 100 | 14,5 kg | 0,034 m ³ |
| 12W | 100 | 15,5 kg | 0,034 m ³ |

Technical Drawing



- High colour Rendering (CR→80)
- Low energy consumption
- Ideal light source with 180° rediance for large area
- Simple lamp replacement thanks to E-27 base
- -20C/+40 C Operating temperature

Product Details

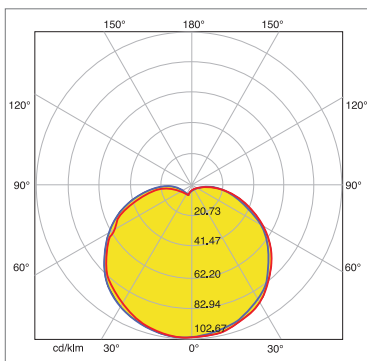
| | Code No | Power (W) | Mains Voltage (V) | Frequency (Hz) | Power Factor | Colour Temperature (K) | Colour Rendering Index (CRI) | Luminous Flux (lm) | Luminous Efficacy (lm/W) |
|--|-----------|-----------|-------------------|----------------|--------------|------------------------|------------------------------|--------------------|--------------------------|
| | 5981 2610 | 7 | 220-240 | 50-60 | >0.80 | 2700 | >80 | 560 | 75 |
| | 5981 2620 | 7 | 220-240 | 50-60 | >0.80 | 6400 | >80 | 560 | 75 |
| | 5981 2630 | 12 | 220-240 | 50-60 | >0.80 | 2700 | >80 | 950 | 88 |
| | 5981 2640 | 12 | 220-240 | 50-60 | >0.80 | 6400 | >80 | 950 | 88 |



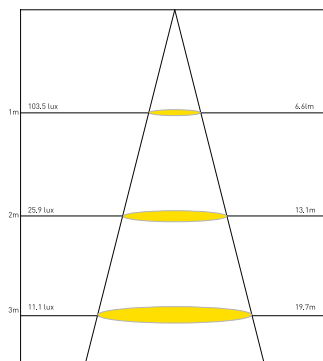
LED Candle Type Lamp

| | |
|-----------|--------------------|
| Body | Aluminium |
| Led | SMD |
| Diffuser | Opal, UV protected |
| Base Type | E14 |

Light Distribution Curve



Cone Diagram

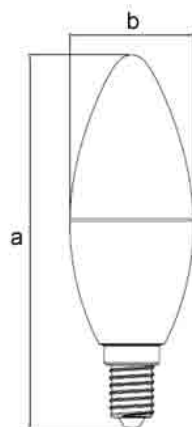


- High colour Rendering (CRI >80)
- Low energy consumption
- Simple lamp replacement thanks to E-14 base
- -20 C/+40 C Operating temperature

Technical Drawing

axb

4W | 112x38 mm



Packing Details

| Pieces per pack | Package weight | Package volume |
|-----------------|----------------|------------------------|
| 100 | 8 kg | 0,02328 m ³ |

Product Details

| | Code No | Power (W) | Mains Voltage (V) | Frequency (Hz) | Power Factor | Colour Temperature (K) | Colour Rendering Index (CRI) | Luminous Flux (lm) | Luminous Efficacy (lm/W) |
|--|-----------|-----------|-------------------|----------------|--------------|------------------------|------------------------------|--------------------|--------------------------|
| | 5981 2510 | 4 | 220-240 | 50-60 | >0,80 | 2700 | >80 | 320 | 80 |

PAR LED Lamp

7W-12W

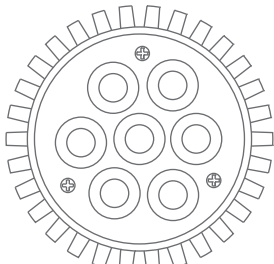


Body Aluminium Injection
 Led Power LED
 Lens Polikarbon

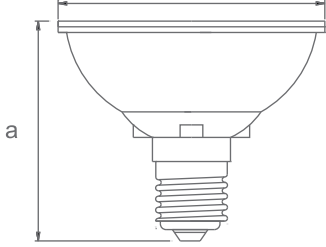
Technical Drawing

axb

7W | 72x92 mm



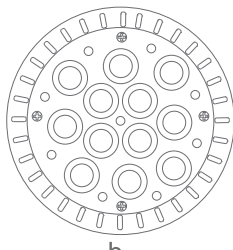
b



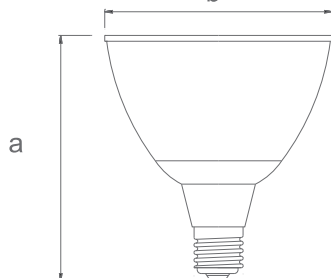
7W

axb

12W | 120x119 mm



b



12W

Packing Details

| | Pieces per pack | Package weight | Package volume |
|-----|-----------------|----------------|-----------------------|
| 7W | 50 | 13,5 kg | 0,0625 m ³ |
| 7W | 50 | 13,5 kg | 0,0625 m ³ |
| 12W | 60 | 14 kg | 0,0880 m ³ |
| 12W | 60 | 14 kg | 0,0880 m ³ |

Product Details

| | Code No | Power (W) | Mains Voltage (V) | Frequency (Hz) | Power Factor | Colour Temperature (K) | Colour Rendering Index (CRI) | Luminous Flux (lm) | Luminous Efficacy (lm/W) | Base Type |
|--|-----------|-----------|-------------------|----------------|--------------|------------------------|------------------------------|--------------------|--------------------------|-----------|
| | 5981 2270 | 7 | 220-240 | 50-60 | >0.50 | 4000 | >80 | 400 | 57 | E27 |
| | 5981 2210 | 7 | 220-240 | 50-60 | >0.50 | 6500 | >80 | 400 | 57 | E27 |
| | 5981 2710 | 12 | 220-240 | 50-60 | >0.50 | 4000 | >80 | 750 | 63 | E27 |
| | 5981 2720 | 12 | 220-240 | 50-60 | >0.50 | 6500 | >80 | 750 | 63 | E27 |

E-27 base
 25000 hours lifetime

3x1W Power LED Lamp

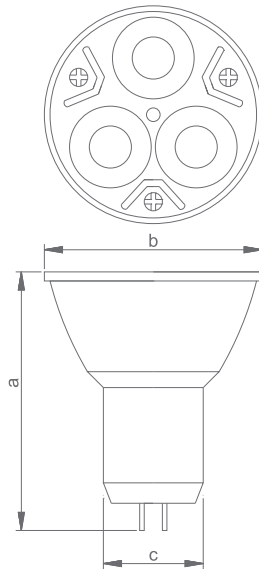


| | |
|------|---------------------|
| Body | Aluminium injection |
| Led | Power LED |
| Lens | Polycarbonate |

Technical Drawing

axbxc


3W | 89x48x25 cm



Packing Details

| | Pieces per pack | Package weight | Package volume |
|----------|-----------------|----------------|------------------------|
| 3W GU10 | 200 | 14,5 kg | 0,04541 m ³ |
| 3W GU10 | 200 | 14,5 kg | 0,04541 m ³ |
| 3W GU5.3 | 200 | 11 kg | 0,04541 m ³ |
| 3W GU5.3 | 200 | 11 kg | 0,04541 m ³ |

Product Details

| | Code No | Power (W) | Mains Voltage (V) | Frequency (Hz) | Power Factor | Colour Temperature (K) | Colour Rendering Index (CRI) | Luminous Flux (lm) | Luminous Efficacy (lm/W) | Base Type |
|---|-----------|-----------|-------------------|----------------|--------------|------------------------|------------------------------|--------------------|--------------------------|-----------|
|  | 5981 1320 | 3 | 220-240 | 50-60 | >0.50 | 2700 | >80 | 220 | 80 | GU5,3 |
|  | 5981 1310 | 3 | 220-240 | 50-60 | >0.50 | 6500 | >80 | 220 | 80 | GU5,3 |
|  | 5981 1170 | 3 | 220-240 | 50-60 | >0.50 | 4000 | >80 | 220 | 80 | GU10 |
|  | 5981 1010 | 3 | 220-240 | 50-60 | >0.50 | 6500 | >80 | 220 | 80 | GU10 |

GU10 and GU5,3 base
25000 hours lifetime



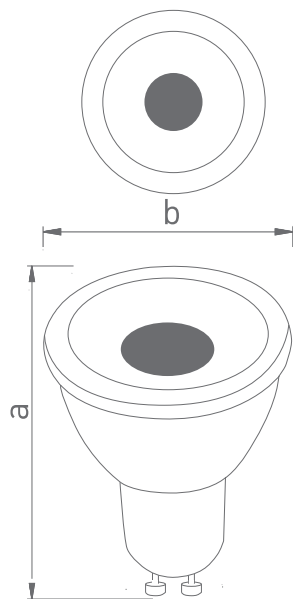
5W COB LED Lamp

| | |
|----------|---------------------|
| Body | Aluminium injection |
| Led | COB |
| Diffuser | Polycarbonate |

Technical Drawing

axb


87x50 mm



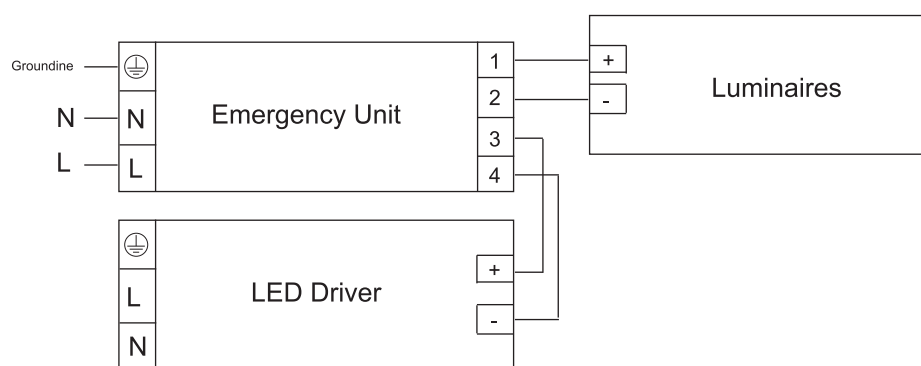
Packing Details

| | Pieces per pack | Package weight | Package volume |
|----|-----------------|----------------|------------------------|
| 5W | 200 | 11 kg | 0,04541 m ³ |

Product Details

| | Code No | Power (W) | Mains Voltage (V) | Frequency (Hz) | Power Factor | Colour Temperature (K) | Colour Rendering Index (CRI) | Luminous Flux (lm) | Luminous Efficacy (lm/W) | Base Type |
|---|-----------|-----------|-------------------|----------------|--------------|------------------------|------------------------------|--------------------|--------------------------|-----------|
|  | 5981 2910 | 5 | 220-240 | 50-60 | >0.50 | 2700 | >80 | 460 | 90 | GU10 |

Emergency Unit



Production Specifications

- Metal Body
- Internal Battery
- Charge Indicator
- Test Button
- 1-3 hours Discharge Time
- 6V 800 mAH Ni-Cd battery

Fields of Application

- LED Downlight Luminares
- LED Panel Luminares
- LED Spot Luminares
- LED Outdoor Globe Luminares

Product Details

| Code No | Input Voltage (Vac) | Charge Time | Output Voltage (Vdc) | Protection Class | Dimensions |
|-----------|---------------------|-------------|----------------------|------------------|-------------|
| 5913 1490 | 220-240 | 24 hour | 9-39 | IP20 | 85x56x38 mm |

Constant Current Driver



LED Drivers

Fields of Application

- Single Chip Led Strips
- Three Chips Led Strips
- LED Bars
- Constant Voltage Led Moduls
- Led Consecutive Moduls

Product Details

| Code No | Input Voltage (Vac) | Power (W) | Output Voltage (Vdc) | Output Current (A) | Protection Class | Dimensions (mm) |
|-----------|---------------------|-----------|----------------------|--------------------|------------------|-----------------|
| 5985 9030 | 185-230 | 30 | 12 | 2,5 | IP20 | 85x56x38 |
| 5985 9040 | 185-230 | 60 | 12 | 5 | IP20 | 107x97x37 |
| 5985 9050 | 185-230 | 100 | 12 | 8,5 | IP20 | 158x98x42 |
| 5985 9060 | 185-230 | 150 | 12 | 12,5 | IP20 | 199x98x42 |
| 5985 9070 | 185-230 | 200 | 12 | 17 | IP20 | 200x110x50 |
| 5985 9090 | 185-230 | 360 | 12 | 30 | IP20 | 215x115x50 |
| 5985 9160 | 185-230 | 60 | 12 | 5 | IP67 | 178x72x45 |
| 5985 9820 | 185-230 | 100 | 12 | 8,5 | IP67 | 210x72x45 |

Constant Current Driver

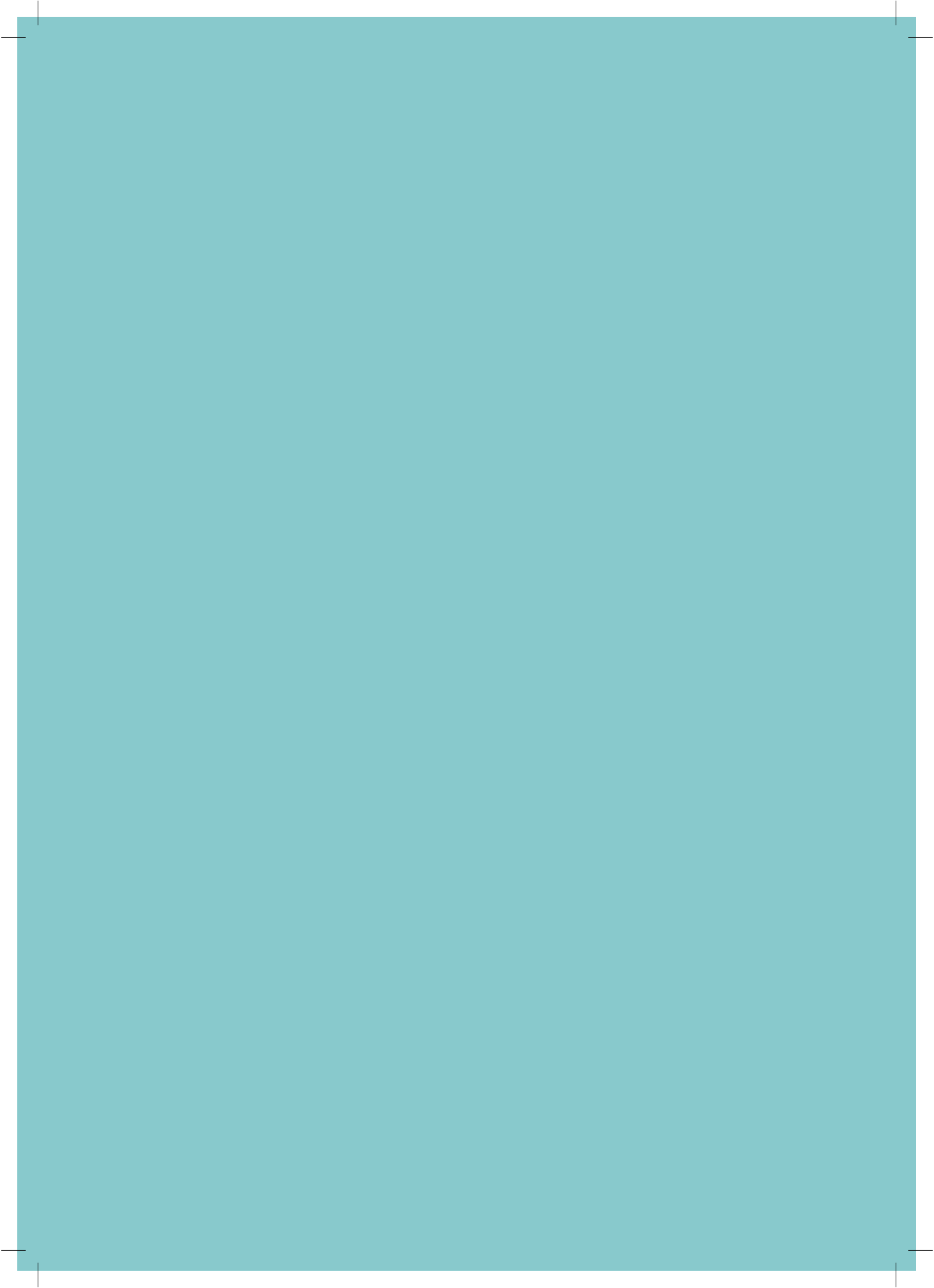


Fields of Application

- Constant current led modüller
- Led downlights
- Led panels
- Led Street Luminaires
- Led Floodlights

Product Details

| Code No | Input Voltage (Vac) | Capacity | Output Voltage (Vdc) | Output Current (A) | Protection Class | Dimensions (mm) |
|-----------|---------------------|----------|----------------------|--------------------|------------------|-----------------|
| 5918 1650 | 185-230 | %88 | 9-60 | 350 | IP20 | 215x42x30 |
| 5918 1670 | 185-230 | %88 | 9-60 | 500 | IP20 | 215x42x30 |
| 5918 1660 | 185-230 | %88 | 9-60 | 700 | IP20 | 215x42x30 |
| 5918 1680 | 185-230 | %88 | 9-60 | 1050 | IP20 | 215x42x30 |
| 5918 1690 | 185-230 | %88 | 9-60 | 1400 | IP20 | 215x42x30 |





www.pelsan.com.tr

Head Office

İmes Sanayi Sitesi A Blok 101/38
Ümraniye/İstanbul
Tel. +90 216 466 10 10 (pbx)
Faks. +90 216 364 60 15
info@pelsan.com.tr

Karakoy Branch

Yanıkkağı Porsuk Sk. No.11
Karaköy/İstanbul
Tel. +90 212 297 18 37
Faks. +90 212 255 38 71
info@pelsan.com.tr

Factory

Nato Yolu Cad. Emek Mah.
No.280 Sancaktepe İstanbul
Tel. +90 216 540 66 71-72
Faks. +90 216 540 66 79
info@pelsan.com.tr

Perpa Branch

Perpa Ticaret Merkezi A Blok Kat 9 No.1178
Okmeydanı/İstanbul
Tel. +90 212 220 00 82
Faks. +90 212 222 30 20
info@pelsan.com.tr

