

Circa

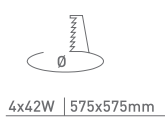
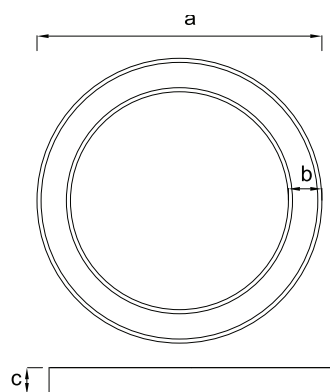


Body	Electrostatic powder coated metal
Led	SMD mid power
Diffuser	High-End Transparent and Homogeneous Light Distribution Opal Cover PMMA
Driver	Pelsan High Efficiency Driver



Technical Drawing
axbxc

60W | 627x74x60mm



Fields of Application



Product Details


	Code No	Power (W)	Mains Voltage (V)	Frequency (Hz)	Power Factor	Colour Temperature (K)	Colour Rendering Index (CRI)	Luminous Flux (lm)	Luminous Efficacy (lm/W)
	5615 6111	60	220-240	50-60	>0.95	4000	>80	4200	70



Polaris

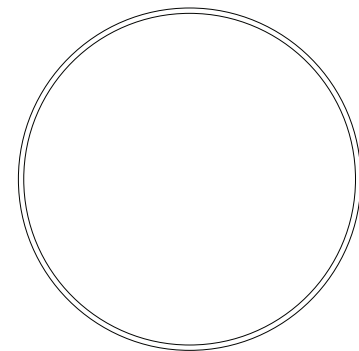
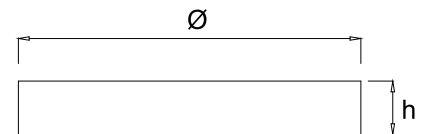


Product Details

	Code No	Power (W)	Mains Voltage (V)	Frequency (Hz)	Power Factor	Colour Temperature (K)	Colour Rendering Index (CRI)	Luminous Flux (lm)	Luminous Efficacy (lm/W)
	5615 6191	60	230	50-60	>0.95	4000	>80	4200	70



Body	Electrostatic powder coated metal
Led	SMD mid power
Diffuser	High-End Transparent and Homogeneous Light Distribution Opal Cover PMMA
Driver	Pelsan High Efficiency Driver



Technical Drawing

Øxh

60W | 600x76mm

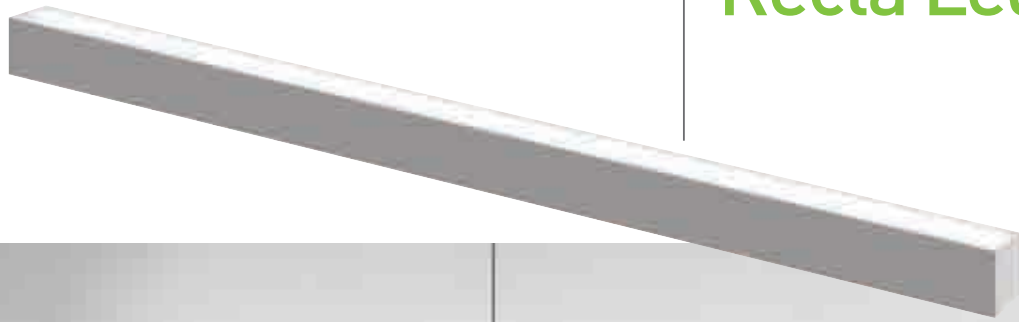
Fields of Application



Packing Details

Pieces per pack	Package weight	Package volume
1	3,5 kg	0,01163

Recta Led

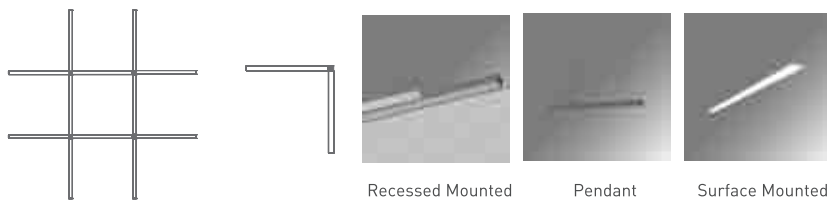


Body	Aluminium Injection
Led	SMD mid power
Diffuser	Opal PC
Driver	Highly efficient constant current

Product Details

	Code No	Power (W)	Mains Voltage (V)	Frequency (Hz)	Power Factor	Colour Temperature (K)	Colour Rendering Index (CRI)	Luminous Flux (lm)	Luminous Efficacy (lm/W)
	5615 9311	36,5	220-240	50-60	>0.95	3000/4000	>80	2020	55,3
	5615 9321	48	220-240	50-60	>0.95	3000/4000	>80	2689	56
	5615 9331	61	220-240	50-60	>0.95	3000/4000	>80	3530	57,8

Connection methods



Advantages

- Optional opal diffuser length
- All RAL codes can be applied
- Optional LED types
- Dimming option can be applied
- Emergency units can be applied
- %60 more energy efficient than T5 version
- Continuous mounting type
- Homogeneous light distribution thanks to opal cover
- Corridor sensor

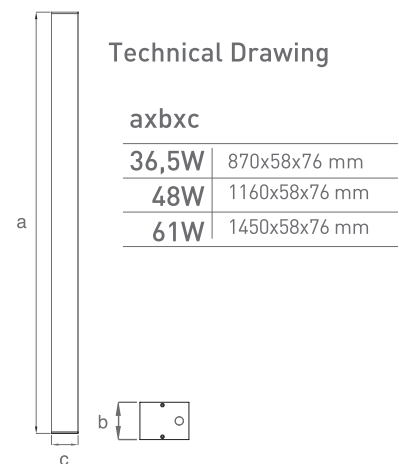
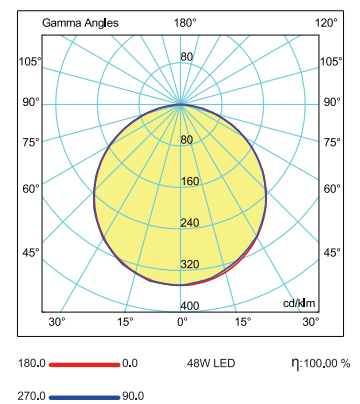
Fields of Application



Packing Details

	Pieces per pack	Package weight	Package volume
36,5W	2	4,6 kg	0,112 m ³
48W	2	5,8 kg	0,148 m ³
61W	2	7 kg	0,180 m ³

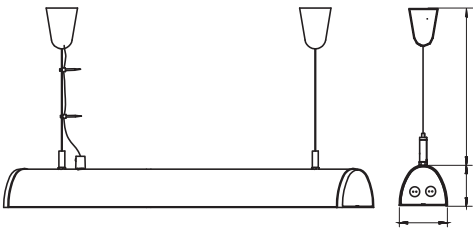
Light Distribution Curve (48W 4000K)



Hera



Bddy	Anodized aluminium
Diffuser	Polycarbonate
Driver	Pelsan High Efficiency Driver



Packaging Details

Package Dimensions	Package Weight	Package Volume	Pieces per pack
133.5X22.8X35 cm	16,4 kg	0,106533	1

Fields of Application



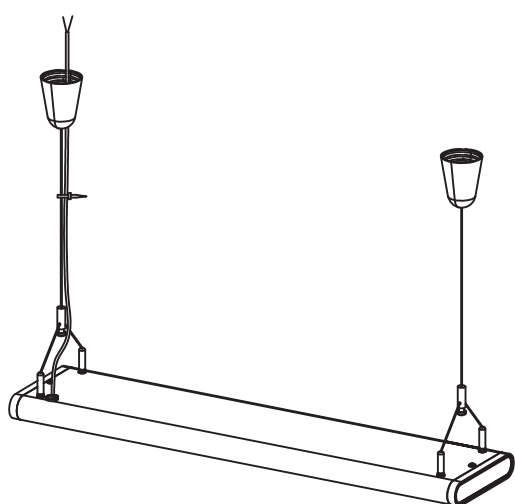
Product Details

	Code No	Operating Voltage(V)	Frequency (Hz)	Led Type	Power (W)	Colour Temperature (K)	Colour Rendering Index (CRI)	Luminous Efficacy (lm/W)	Luminous Flux (lm)	Power Factor (COS Q)
	5615 8510	220-240	50-60	SMD2835	28.8	4000	>83	90	2592	95

Vesta



Body	Anodized aluminium
Diffuser	Polycarbonate
Driver	Pelsan High Efficiency Driver




Packaging Details

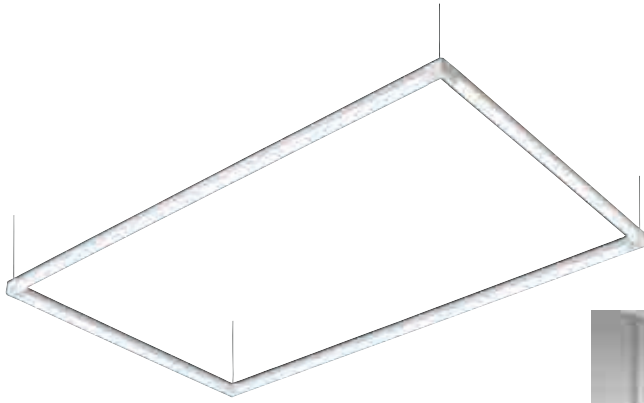
Package Dimensions	Package Weight	Package Volume	Pieces per pack
132.8X35.8X18 cm	15,6 kg	0,08557632	1

Fields of Application



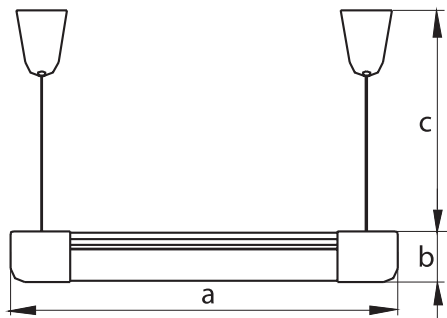
Product Details

	Code No	Operating Voltage(V)	Frequency (Hz)	Led Type	Power (W)	Colour Temperature (K)	Colour Rendering Index (CRI)	Luminous Efficacy (lm/W)	Luminous Flux (lm)	Power Factor (COS Q)
	5615 8520	220-240	50-60	SMD2835	28.8	4000	>83	90	2592	95



Verita

Body	Anodized aluminium
Diffuser	Polycarbonate
Driver	Pelsan High Efficiency Driver



Packaging Details

Package Dimensions	Package weight	Package Volume	Pieces per pack
92.8X34.8X17 cm	13,5 kg	0,05490048	1

Fields of Application



Product Details

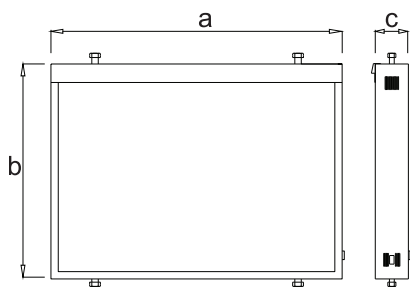
	Code No	Operating Voltage(V)	Frequency (Hz)	Led Type	Power (W)	Colour Temperature (K)	Colour Rendering Index (CRI)	Luminous Efficacy (lm/W)	Luminous Flux (lm)	Power Factor (COS φ)
	5615 8560	220-240	50-60	SMD2835	43.2	4000	>83	90	3888	95



Negatoskop Led



Body	Electrostatic powder coated metal
Led	SMD mid power
Diffuser	High-End Transparent and Homogeneous Light Distribution Opal Cover PMMA
Driver	Pelsan High Efficiency Driver



Technical Drawing

axbxc

42W	660x600x65mm
84W	1200x600x65mm

Packaging Details

	Pieces per pack	Package weight	Package Volume
42W	1	6 kg	0.02864
84W	1	9 kg	0.05208

Fields of Application



Product Details

Code No	Power (W)	Mains Voltage (V)	Frequency (Hz)	Power Factor	Colour Temperature (K)	Colour Rendering Index (CRI)	Luminous Flux (lm)	Luminous Efficacy (lm/W)
5615 8540	42	220-240	50-60	>0.95	4000	>80	3500	83.3
5616 8550	84	220-240	50-60	>0.95	4000	>80	7100	84.5